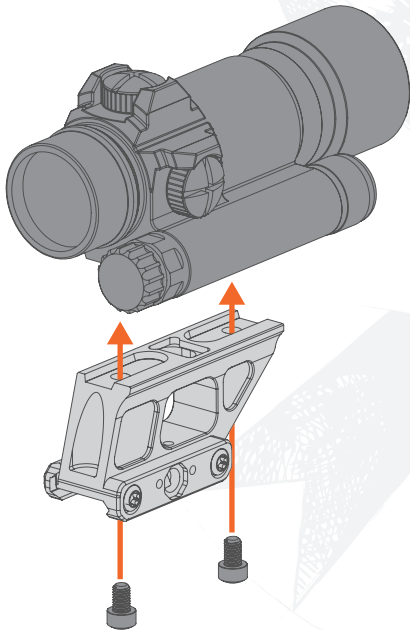


FAST™ COMP SERIES MOUNT INSTALLATION INSTRUCTIONS



⚠️ ENSURE FIREARM IS UNLOADED

⚠️ **WARNING:** Over-torquing fasteners can damage your mount and will not be covered by warranty.



- 1 Secure screws using a T25 bit driver. Lightly snug all screws before applying final torque to any. **DO NOT EXCEED 25 IN-LBS.**

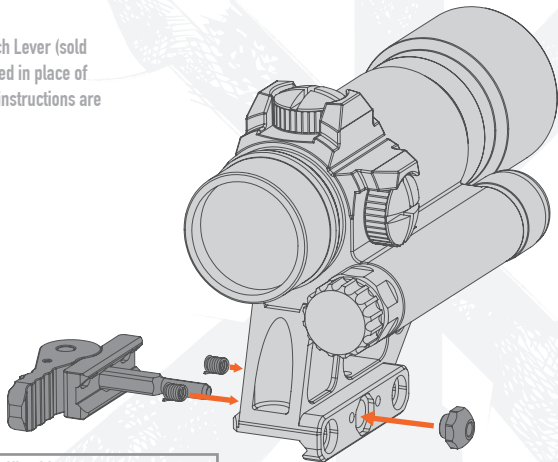
FAST™ COMP SERIES MOUNT INSTALLATION INSTRUCTIONS



⚠️ ENSURE FIREARM IS UNLOADED

⚠️ **WARNING:** Over-torquing fasteners can damage your mount and will not be covered by warranty.

- 2** Optional ADM Quick Detach Lever (sold separately) can be installed in place of rail grabber. Installation instructions are included with lever.



Compatible ADM QD Lever Kit with proprietary nut (see reference image) available exclusively from Unity Tactical and their dealers.

USING A STANDARD ADM NUT COULD DAMAGE YOUR MOUNT AND WILL VOID WARRANTY.

