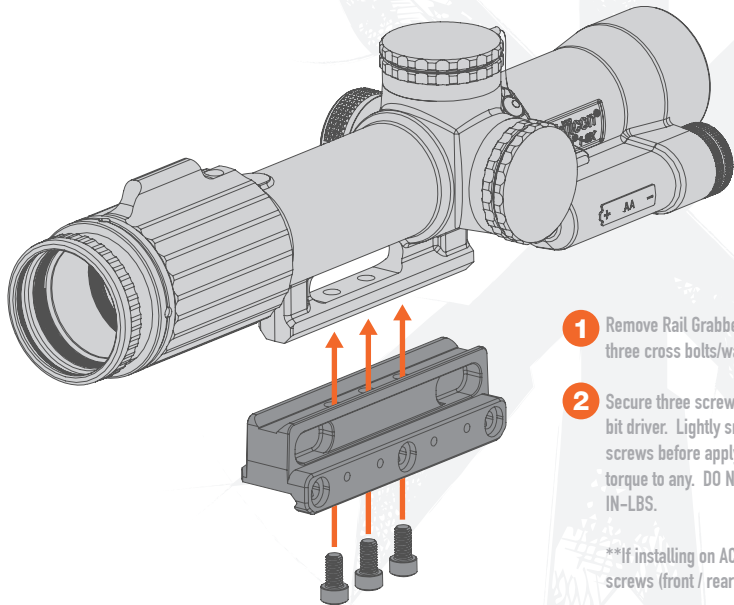


### ⚠️ ENSURE FIREARM IS UNLOADED

⚠️ **WARNING:** Over-torquing fasteners can damage your mount and will not be covered by warranty.



- 1** Remove Rail Grabber Clamp and three cross bolts/washers.
- 2** Secure three screws using a T25 bit driver. Lightly snug all screws before applying final torque to any. **DO NOT EXCEED 50 IN-LBS.**

**\*\*If installing on ACOG, use two screws (front / rear).\*\***

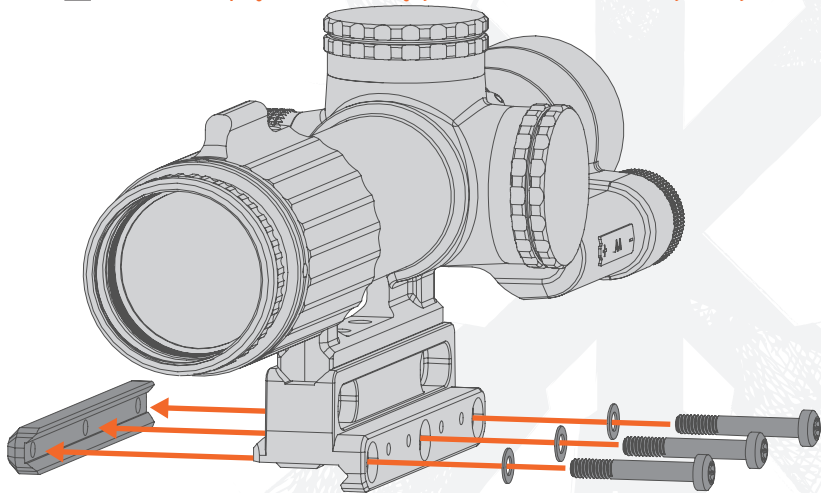
# FAST™

## COG SERIES MOUNT INSTALLATION INSTRUCTIONS



### ⚠️ ENSURE FIREARM IS UNLOADED

⚠️ **WARNING:** Over-torquing fasteners can damage your mount and will not be covered by warranty.



- 3** Loosely reinstall Rail Grabber Clamp and three Cross Bolts / Washers.
- 4** Place optic mount assembly onto M1913 Picatinny rail. Push mount forward against recoil lug. Tighten Cross Bolts in order: Front, Rear, Middle, using T25 drive bit. Lightly snug all screws before applying final torque to any screws. TORQUE TO 35 IN-LBS. DO NOT USE THREAD LOCKING COMPOUND.