

FAST™

ACCESSORY RISER



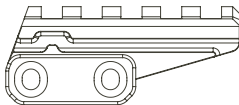
CONTENTS



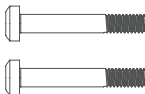
PRODUCT OVERVIEW

The FAST™ Accessory Riser is a versatile tool that raises a variety of optics, thermals and lasers to give you a heads-up posture. Featuring a machined slot for cable routing, it is primarily designed to raise a rail-mounted laser by 0.725". It also creates a 2.26" optical centerline from the rail when paired with the Sig Sauer® ROMEO8T, Leupold™ LCO® or a thermal mounted on a UNITY™ CTH™.

One (1) FAST™ Accessory Riser



Two (2) Clamp Screws



Two (2) Washers



One (1) Rail Clamp





WARNING: ENSURE FIREARM IS UNLOADED



CAUTION: OVER-TORQUING FASTENERS CAN DAMAGE YOUR MOUNT AND WILL NOT BE COVERED BY WARRANTY. USING THREAD LOCKING COMPOUNDS, SUCH AS LOCTITE® OR OTHERS, IS NOT RECOMMENDED AND WILL VOID YOUR WARRANTY.

1

Place the FAST™ Accessory Riser on the M1913 Rail in desired location.

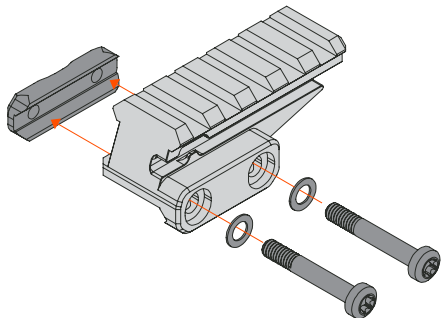
2

Insert each Clamp Screw through a Washer. Then insert them through the FAST™ Accessory Riser and thread them into the Rail Clamp. Secure screws using a T25 bit driver. Lightly snug all screws before applying final torque to any. **Torque to 35 in-lbs (4 Nm).**



NOTE

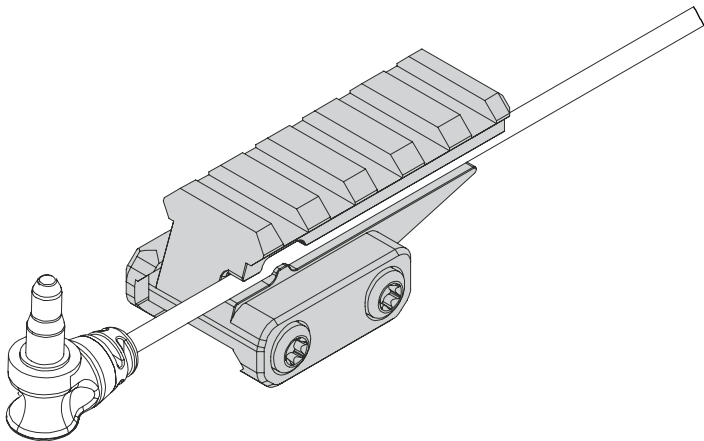
Your optic, laser or UNITY™ CTM™ should be mounted to the FAST™ Accessory Riser using the hardware provided with your respective device. This can be done either before or after attaching your FAST™ Accessory Riser on your M1913 Rail at your preference.





NOTE

If running a laser on the FAST™ Accessory Riser, the cable must be routed to the right to utilize the cable routing slot.



INFO@UNITYTACTICAL.COM

©2024 UNITY Tactical. All Rights Reserved.
Specifications subject to change without notice. PAT: UTIP.CO

