

FAST™

PRO CLAMP

USER

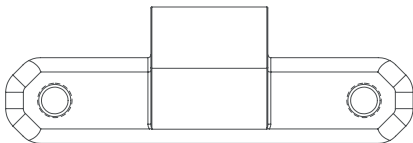
INSTRUCTIONS



 **UNITY**

The FAST[®] Pro Clamp replaces the two-bolt rail clamp allowing a SureFire[®] Pro light body to attach directly to the side of the mount. The light body can rotate up or down on the clamp for preferred placement. It is primarily designed to replace the two-bolt rail clamp on RAXIS[™], allowing the end user to mount their light up front next to the laser, but will also attach to any FAST[™] mount using a two-hole clamp.

One (1) FAST[™] Pro Clamp



**WARNING:****ENSURE FIREARM IS UNLOADED****CAUTION:**

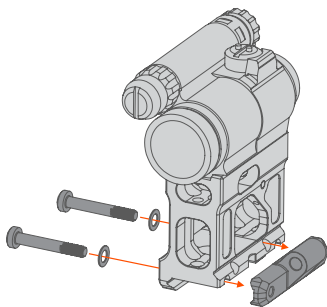
Over-torquing fasteners can damage your mount and/or your optic and will void your warranty. Using thread locking compounds, such as Loctite® or others, is not recommended and will void your warranty.

1

Place your FAST™ mount or RAXIS™ on the M1913 Rail in desired location.

2

Insert each Clamp Screw through a Washer. Then insert them through the mount and thread them into the Rail Clamp. Secure thread screws using a T25 bit driver. Lightly snug all screws before applying final torque to any. **Torque to 35 in-lbs [4 Nm].**

**NOTE:**

The SureFire® Pro light body can be attached to the FAST® Pro Clamp either before or after attaching the FAST® Pro Clamp to your mount.

